

PANORAMA-MIRROR

Made in Germany

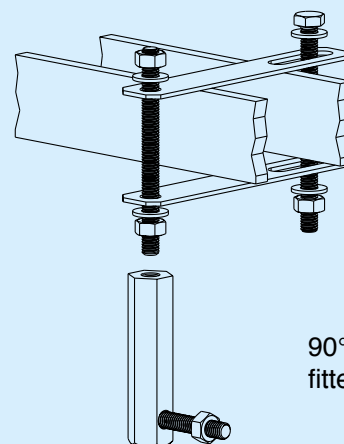
Model 2008

for forklift-trucks above 2 t capacity
Width: 260 mm / Height: 132 mm
Certification No.: ZE 80115/310/031



Model 2009

for forklift-trucks up to 2 t capacity
Width: 233 mm / Height: 123 mm
Certification No.: ZE 80115/310/032



optional:
mounting-kit

90° mounting hook
fitted to mirror

HONISCH®
GMBH

Vohwinkelallee 3 • D-40229 Düsseldorf
Tel. +49 (0) 211 - 21 80 80 • Fax +49 (0) 211 - 21 21 84
www.honisch.de • info@honisch.de